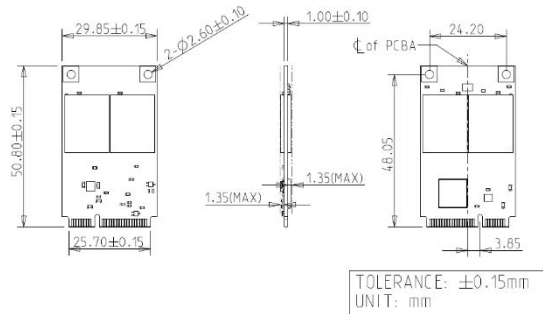
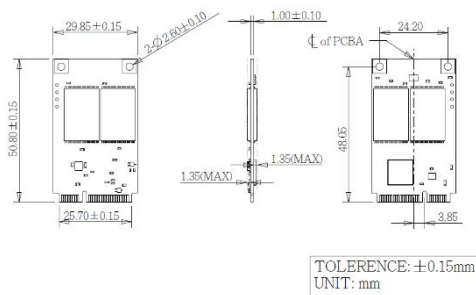


mSATA SSD 3TE7 series

Diagram

For 32GB~512GB

For 1TB



Specifications

Interface	SATA III
Flash Type	3D TLC
Capacity	32GB~1TB
Max. Channels	4
Sequential R/W (MB/sec, max.)*	560 / 330 MB/s
4KB Random (OD32) R/W (IOPS)*	85,000/70,000
Max. Power Consumption	2W
Thermal Sensor	√
External DRAM Buffer	-
H/W Write Protect	Optional
ATA Security	√
S.M.A.R.T.	√
Dimension (WxLxH)	29.85 X 50.8 X 3.7 mm
Environment	Vibration: 20G @7~2000Hz Shock: 1500G @ 0.5ms Storage Temperature: -55°C ~ +95°C MTBF: 3 million hours
* Performance based on CrystalDiskMark 5.1.2 with file size 1000MB	

Ordering Information (Please refer to TPS for detail)

Operation Temp.	32GB	64GB	128GB	256GB	512GB	1TB
Standard Grade (0°C ~ +70°C)	DEMSR-32GDK1EC1SF	DEMSR-64GDK1EC1DF	DEMSR-A28DK1EC1QF	DEMSR-B56DK1EC1QF	DEMSR-C12DK1EC1QF	DEMSR-O1TDK1ECAQF
Industrial Grade (-40°C ~ +85°C)	DEMSR-32GDK1EW1SF	DEMSR-64GDK1EW1DF	DEMSR-A28DK1EW1QF	DEMSR-B56DK1EW1QF	DEMSR-C12DK1EW1QF	DEMSR-O1TDK1EWAQF