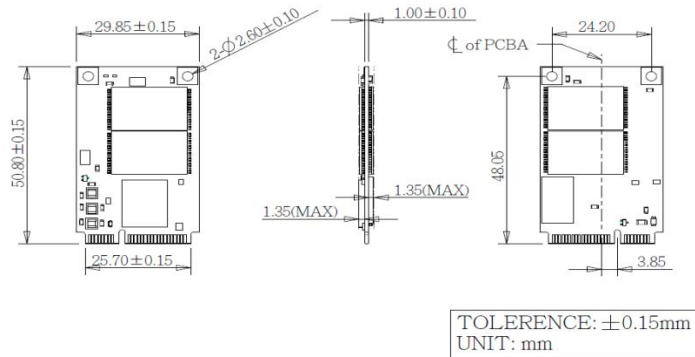


mSATA 3TG6-P series

Drawing



Specifications

Interface	SATA III
Flash Type	3D TLC
Capacity	128GB~1TB
Max. Channels	4
Sequential R/W (MB/sec, max.)*	560 / 520 MB/s
4KB Random (OD32) R/W (IOPS)*	67,000/67,000
Max. Power Consumption	TBD
Thermal Sensor	✓
External DRAM Buffer	✓
AES encryption	✓
ATA Security	✓
S.M.A.R.T.	✓
DEVSUP Mode	✓ (min. power consumption 3mW)
Dimension (WxLxH)	29.85 X 50.80 X 3.7 mm
Environment	Vibration: 20G @7~2000Hz Shock: 1500G @ 0.5ms Storage Temperature: -55°C ~ +95°C MTBF: 3 million hours
* Sequential performance based on CrystalDiskMark 5.1.2 with file size 100MB	

Ordering Information

Operation Temp.	128GB	256GB	512GB	1TB
Standard Grade (0°C ~ +70°C)	DGMSR-A28M71EC1QF	DGMSR-B56M71EC1QF	DGMSR-C12M71EC1QF	DGMSR-01TM71ECAQF
Industrial Grade (-40°C ~ +85°C)	DGMSR-A28M71EW1QF	DGMSR-B56M71EW1QF	DGMSR-C12M71EW1QF	DGMSR-01TM71EWAQF