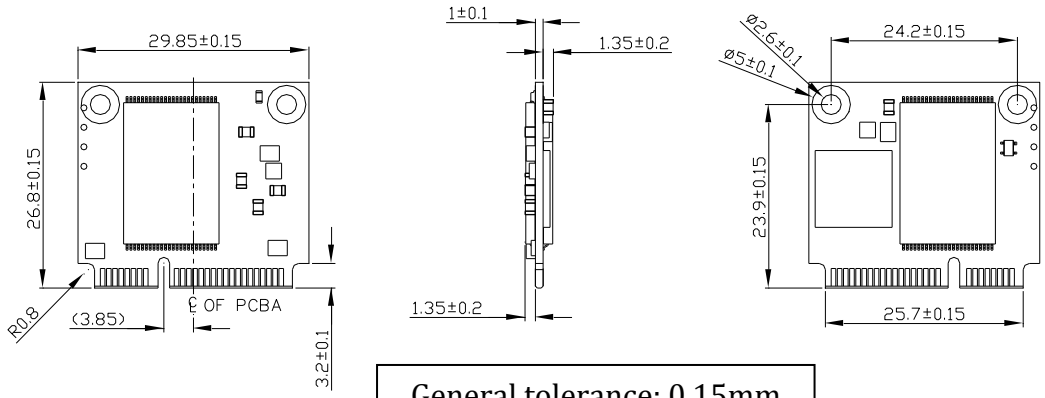


# mSATA mini

## 3|E3 series

### Diagram



General tolerance: 0.15mm

### Specifications

Interface	SATA III
Flash Type	iSLC
Capacity	8GB~64GB
Max. Channels	2
Sequential R/W (MB/sec, max.)	230/170
Max. Power Consumption	0.6 W (3.3V x 190 mA )
Thermal Sensor	WT as default, ST by option
External DRAM buffer	-
Trim	√
ATA Security	√
S.M.A.R.T.	√
Dimension (WxLxH)	29.85 X 26.8 X 3.7 mm
Environment	Vibration: 20G @7~2000Hz Shock: 1500G @ 0.5ms Storage Temperature: -55°C ~ +95°C MTBF: 3 million hours

### Ordering Information

Operation Temp.	08GB	16GB	32GB	64GB
Standard Grade (0°C ~ +70°C)	DHMSM-08GD09BC1SC	DHMSM-16GD09BC1DC	DHMSM-32GD09BC1DC	DHMSM-64GD09BC1DC
Industrial Grade (-40°C ~ +85°C)	DHMSM-08GD09BW1SC	DHMSM-16GD09BW1DC	DHMSM-32GD09BW1DC	DHMSM-64GD09BW1DC