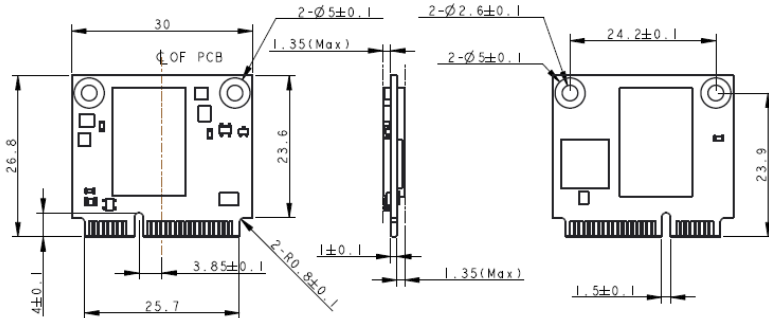


mSATA mini

3SE4 series

Diagram



Specifications

Interface	SATA III
Flash Type	SLC
Capacity	8GB~64GB
Max. Channels	2
Sequential R/W (MB/sec, max.)*	525 / 360
4KB Random (QD32) R/W (IOPS)**	31,000/29,000
Max. Power Consumption	1.3 W (3.3 V x 0.4 A)
Thermal Sensor	√
External DRAM Buffer	-
H/W Write Protect	-
ATA Security	√
S.M.A.R.T.	√
Dimension (WxLxH)	30 X 26.8 X 3.6 mm
Environment	Vibration: 20G @7~2000Hz Shock: 1500G @ 0.5ms Storage Temperature: -55°C ~ +95°C MTBF: 3 million hours

* Sequential performance based on CrystalDiskMark 5.1.2 with file size 1000MB

** Random performance based on Iometer with Queue Depth 32

Ordering Information (Please refer to TPS for detail)

Operation Temp.	8GB	16GB	32GB	64GB
Standard Grade (0°C ~ +70°C)	DEMISM-08GM41SCADB	DEMISM-16GM41SCADB	DEMISM-32GM41SCADB	DEMISM-64GM41SCADB
Industrial Grade (-40°C ~ +85°C)	DEMISM-08GM41SWADB	DEMISM-16GM41SWADB	DEMISM-32GM41SWADB	DEMISM-64GM41SWADB