

R19IHAT-66EX-T

19" 1000 nits ATEX Panel PC with Intel® Core™ i5-1135G7



KEY FEATURES

- 19" 1000 nits LCD ATEX Panel PC
- Class 1, Division 2 & ATEX Zone 2 certified for hazardous area applications
- Intel® 11th Tiger Lake Core™ i5-1135G7 Processor
- Fanless design with streamlined enclosure for highly efficient heat dissipation
- Intelligent Heater for working in extreme cold environments -40°C



TID0700KL

SPECIFICATIONS

System Specification			
Processor	Intel® Core™ i5-1135G7 (8M Cache, up to 4.20 GHz, no vPro)	Memory	1 x SO-DIMM, DDR4 3200 MHz, 4GB 8GB (Optional) 16GB (Optional) 32GB (Optional) 2 x SO-DIMM, DDR4 3200 MHz, 4GB (Optional) 8GB (Optional) 16GB (Optional) 32GB (Optional) 64GB (Optional)
Storage	1 x M.2 M-Key 2242 SATA SSD or 1 x M.2 M-Key 2280 NVMe SSD 128GB 256GB (Optional) 512GB (Optional) 1TB(for NVMe) (Optional) 2TB(for NVMe) (Optional) 4TB(for NVMe) (Optional) 1 x SATA III , up to 2TB (Optional)	Ethernet controller	2 x Intel® Ethernet Controller
Security	TPM 2.0	Operating System	Windows 11 IoT Enterprise (Optional) Windows 10 IoT Enterprise (Optional) Linux Ubuntu 20.04 (Optional) Linux Ubuntu 22.04 (Optional)
Display			
Touch / Glass	Projected Capacitive Multi Touch Screen Bonding With Panel	Resolution	1280x1024
Size	19 inches	Contrast Ratio	1000:1
Panel Brightness	800 nits 1000 nits(Optional)	View Angles	85,85,80,80
Active Area	376.32x301.06 mm		
Mechanical			
Dimension	474 x 410 x 111 mm	Mounting	Panel mount VESA Mount
Enclosure	Aluminum Housing	Cooling System	Fanless design
Cut out	462 x 386mm		
Environment			
Operating Humidity	5% to 95% (non-condensing)	Operating	-40~70°C (with intelligent heater)

Storage Temperature	-40~70°C	Temperature	
Vibration	MIL-STD-810G Method 514.6	Shock	MIL-STD-810G Method 516.6
		IP rating	IP66 Meet Standard IEC60529 (for Non-Hazardous location) IP54 Meet Standard IEC60079 (for Hazardous location)

Certification

Certification	CE, FCC
	UL 62368-1 CSA C22.2 No. 62368-1-07 EN 62368-1
	Class I, Div.2, Groups A,B,C,D T4 -40 <= Tamb <= 70 Meet Standards ANSI/ISA-12.12.01-2013 CSA Std. C22.2 No. 213-M1987
	ATEX II 3G Ex nA ic IIC T4 Gc -40 <= Tamb <= 70 Meet Standards EN 60079-0, EN 60079-11, EN 60079-15
	IECEX Ex nA ic IIC T4 Gc -40 <= Tamb <= 70 Meet Standards IEC 60079-0, IEC 60079-11, IEC 60079-15

IO Ports

Power Input	1 x 9~36V DC, 3-Pin Terminal Block	USB Port	1 x USB2.0, 4-Pin Terminal Block 1 x USB 3.2 Gen1x1 (Type A, only used in safe area) 2 x USB2.0 (Type A, only used in safe area)
Serial Port	1 x RS232/422/485, 10-Pin Terminal Block 1 x DB9 RS232(only used in safe area)	Video	1 x DB15 VGA(only used in safe area)
Expansion Port	1 x M.2 2232 E-Key Slot (for Wifi module) 1 x M.2 2242/2280 M-Key Slot (for NVME SSD or SATA III SSD) (SATAIII is only available when M.2 NVMe is not in use)	LAN	1 x LAN, , 8-Pin Terminal Block 1 x RJ45(only used in safe area)
Indicator	1 x LED Indicator for power 1 x LED Indicator for storage 1 x LED Indicator for heater 1 x LED Indicator for LAN 1 x LED Indicator for lock touch	Gland	2 x EX-Type Brass Cable Gland M16 (Cable range 7.5~10.2mm) 3 x EX-Type Brass Cable Gland M12 (Cable range 5.4~8mm)

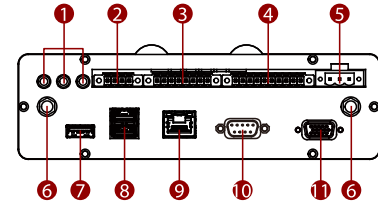
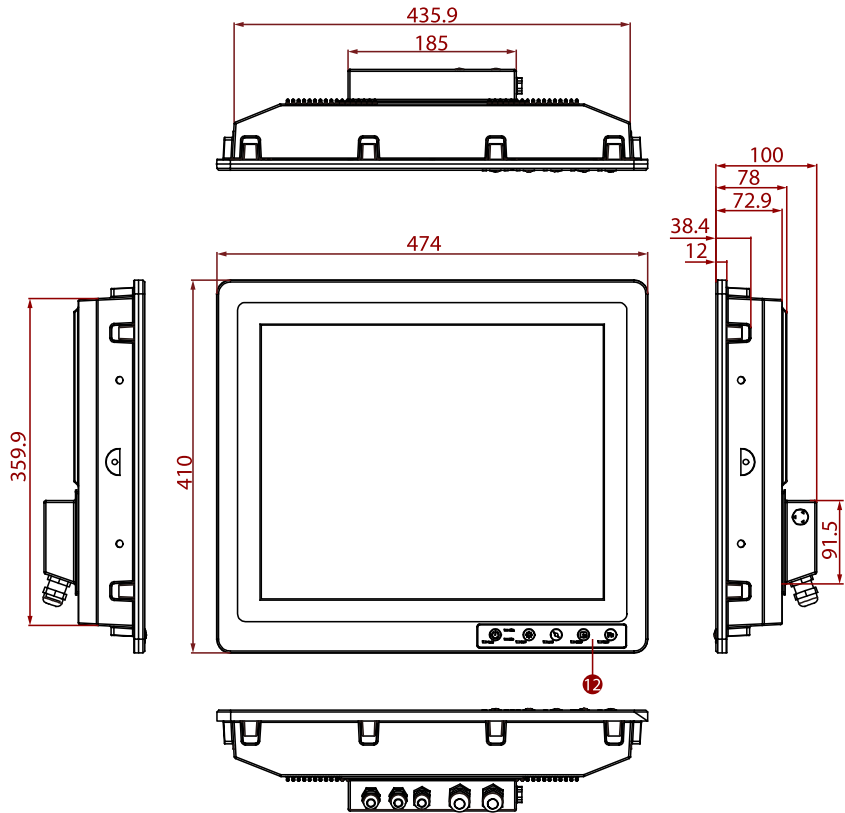
Control

Button	1 x Power Button 1 x Brightness up Button 1 x Brightness down Button 1 x Button for locking touch function 1 x Programmable function key
---------------	--

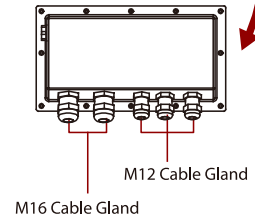
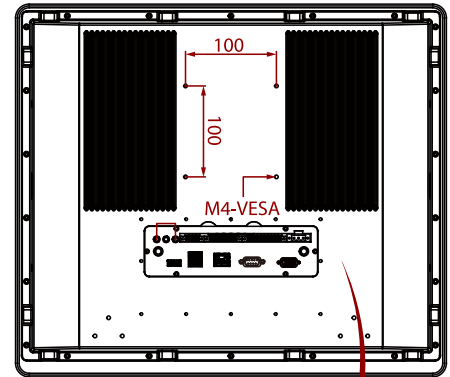
Accessory

Accessory	24V 150W AC to DC Adapter Power cord Open wired power cable for M12 cable Gland Open wired LAN/COM cable for M16 cable Gland Manual & Driver DVD VESA Mounting Screws Mounting Clips & Screws 3 Pins Terminal Block For Power 8 Pins Terminal Block For LAN 4 Pins Terminal Block For USB 10 Pins Terminal Block For COM	Optional Accessory	SMA male to female extension cable for M12 cable Gland (Optional)
------------------	--	---------------------------	---

DIMENSIONS UNIT:MM



Cutout: 462*386mm



- | | | |
|--------------|---------------|---------------------|
| ① Audio | ⑤ Power Input | ⑨ LAN |
| ② USB Type-A | ⑥ SMA | ⑩ COM |
| ③ LAN | ⑦ USB Type-A | ⑪ VGA |
| ④ COM | ⑧ USB Type-A | ⑫ OSD Control Panel |