

PPC-F Bay Trail Fanless Series

5.7"/8"/10.4" Fanless Intel® Bay Trail Solution

Features

- 5.7", 8" and 10.4" fanless industrial panel PC
- 2.0 GHz Intel® Celeron® J1900 quad-core processor or 1.58 GHz Intel® Celeron® N2807 dual-core processor
- Low power consumption DDR3L memory supported
- IP 65 compliant front panel
- 9 V~30 V wide DC input
- mSATA SSD supported
- Dual GbE for backup
- -10°C~50°C extended operating temperature



Specifications

Model		PPC-F06B-BT	PPC-F08B-BT	PPC-F10B-BT
LCD	LCD Display	5.7" (4:3)	8" (4:3)	10.4"
	Max. Resolution	640 (W) x 480 (H)	800 (W) x 600 (H)	800 (W) x 600 (H)
	Brightness (cd/m ²)	550	500	400
	Contrast Ratio	800:1	500:1	700:1
	LCD Color	262K	16.2M	16.2M
	Pixel Pitch (mm)	0.18 (H) x 0.18 (V)	0.2025 (H) x 0.0675 (V)	0.264 (H) x 0.264 (V)
	Viewing Angle (H-V)	160° / 140°	140° / 120°	160° / 140°
	Backlight MTBF (hrs)	50000	50000	30000
Motherboard	CPU	Intel® Celeron® N2807 dual-core processor, 1.58GHz	Intel® Celeron® J1900 quad-core on-board SoC, 2GHz	
	RAM	2GB DDR3L 1600MHz on-board RAM (system max. 4GB, by MOQ=300pcs)	1 x 204-pin DDR3L SO-DIMM slots (max. 8GB)	
Touch	Touchscreen & Controller	4-wire resistive type flat touch window, PenMount DMC9000	5-wire resistive type flat touchscreen, PenMount DMC9000	
	Surface Hardness	3H	3H	3H
Input Interfaces	I/O Ports & Switches	2 x RJ-45 LAN port 1 x RS-232 COM port (DB-9 connector) (RI/5V/12V) 1 x RS-422/485 2 x USB 3.2 Gen 1 (5Gb/s) 2 x USB 2.0 1 x 9 V~30 V DC lockable DC jack (2-pin) 1 x Audio port (line-out) 1 x Power switch 1 x Reset button 1 x AT/ATX switch	1 x RS-232 COM port (RJ-45 connector) 1 x RS-232/422/485 COM port (DB-9 connector) (RI/5V/12V) 2 x USB 3.2 Gen 1 (5Gb/s) 2 x GbE LAN 1 x Power switch 1 x Reset button 1 x AT/ATX switch 1 x Audio port (line-out) 1 x 9 V~30 V lockable power jack	1 x RS-232 COM port (RJ-45 connector) 1 x RS-232/422/485 COM port (DB9 connector) (RI/5V/12V) 2 x USB 2.0 2 x USB 3.2 Gen 1 (5Gb/s) 2 x GbE LAN 1 x Power switch 1 x Reset button 1 x AT/ATX switch 1 x Audio port (line-out) 1 x 9 V~30 V lockable power jack
		Expansion	1 x Full-size PCIe Mini slot (mSATA/PCIe/USB signal)	1 x Full-size/half-size PCIe Mini slot (mSATA/PCIe/USB signal) 1 x Half-size PCIe Mini slot (PCIe signal only)
Wireless LAN			802.11 b/g/n (optional)	
Storage	SSD	mSATA	mSATA	mSATA
	HDD	N/A	N/A	1 x 2.5" HDD bay
Physical	Construction Material		Aluminum front bezel	
	Mounting	Stand, panel mount, rack mount, VESA 75x75	Stand, panel mount, rack mount, VESA 75x75	Stand, panel mount, rack mount, VESA 75x75/100x100
	Enclosure Color		Black C	
	Dimensions (mm)	136.4 x 178.5 x 56.3	182.2 x 222.2 x 44	232.4 x 285.2 x 44
	Net Weight	0.89 kg	1.17 kg	1.77 kg
	Cut-out Dimensions (mm)	157.5 x 115.4	207 x 154	267.2 x 214.4
Environment	Operating Temperature (with air flow)		-10°C~50°C (14°F~122°F)	
	Storage Temperature		-20°C~60°C (-4°F~140°F)	
	Humidity		10% to 95% (non-condensing)	
	IP Level		IP 65 compliant front panel	
	Safety and EMC		CE & FCC Class A certified	
Power	Power Adapter		P/N: 63040-010036-210-RS 36W Power Adapter Input: 90 - 264V AC, 50/60Hz Output: 12V DC	
	Power Requirement		9 ~ 30V DC	
	Power Consumption	24W	28W	34W

Ordering Information

Part No.	Description
PPC-F06B-BT-N1/2G/R-R11	5.7" 450 cd/m ² VGA panel PC with Intel® Celeron® processor N2807, TDP 4.3W, 2GB on-board DDR3L RAM, black color, 9-30V DC input, resistive touch window, R11
PPC-F08B-BT-J1/2G/R-R11	8" 500 cd/m ² SVGA panel PC with Intel® Celeron® processor J1900, TDP 10W, 2GB DDR3L RAM, black color, 9-30V DC input, resistive touch window, R11
PPC-F10B-BT-J1/2G/R-R11	10.4" 400 cd/m ² SVGA panel PC with Intel® Celeron® processor J1900, TDP 10W, 2GB DDR3L RAM, black color, 9-30V DC input, resistive touch window, R11

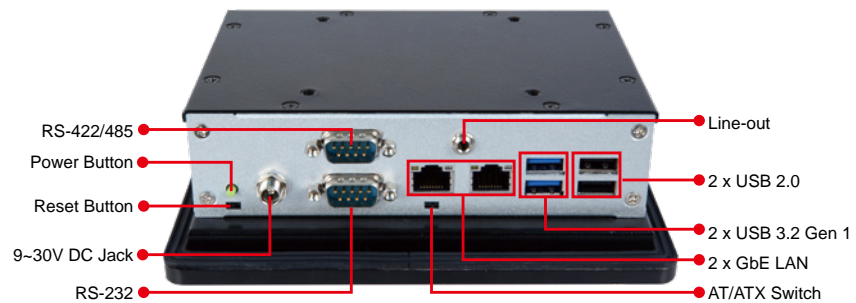
Options

Item	PPC-F06B	PPC-F08B	PPC-F10B
Arm	ARM-11-RS	ARM-11-RS	ARM-11-RS
Stand	STAND-100-RS STAND-B08	STAND-100-RS STAND-B08 STAND-C12-R10	STAND-100-RS STAND-B08 STAND-C12-R10
Wall Mount Kit	AFLWK-12	AFLWK-12	AFLWK-12
Panel Mount Kit	FPK-07-R10	FPK-07-R10	FPK-09-R10
Wi-Fi Kit	EMB-WIFI-KIT01-R20		

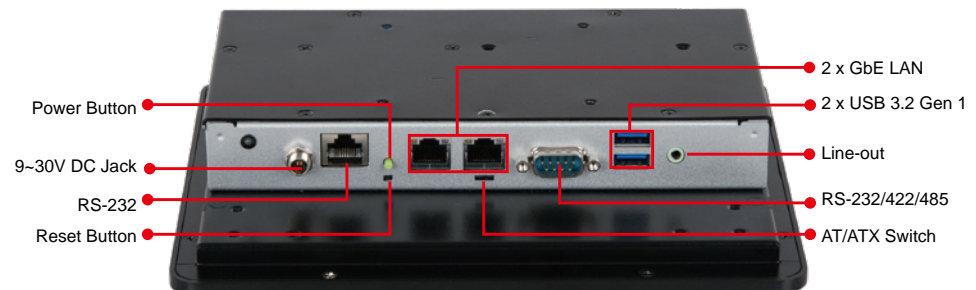
Packing List

Item	Q'ty	Remark
PPC-FxxB-BTi Panel PC	1	
Power Cord	1	Part numbers vary by regions
Screw Pack	1	Including necessary screws
Power Adapter	1	9V~30V DC P/N: 63040-010036-210-RS

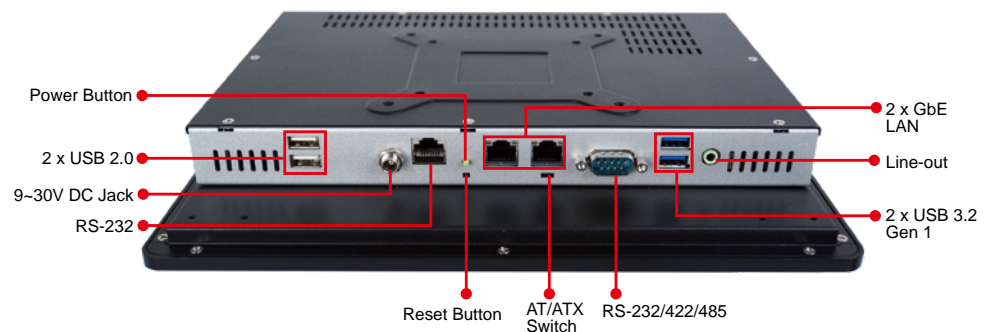
PPC-F06B Fully Integrated I/O

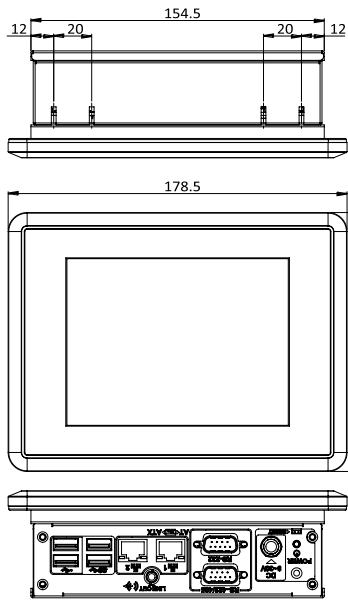


PPC-F08B Fully Integrated I/O

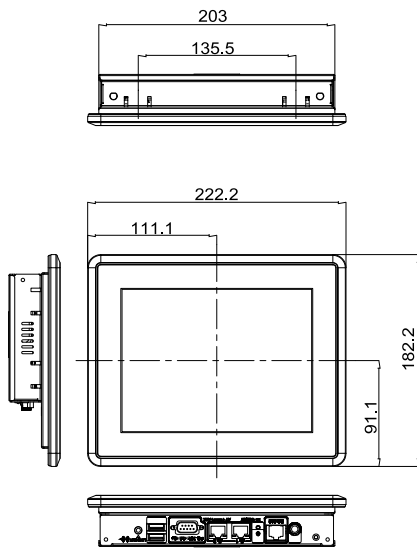
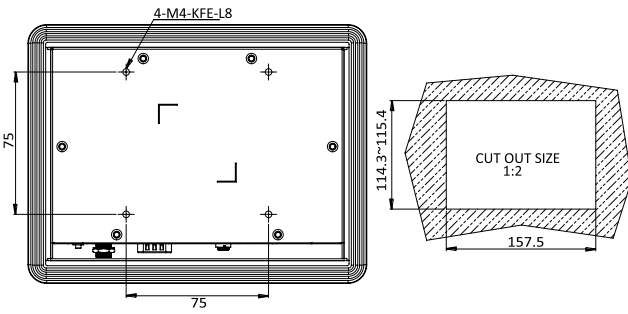


PPC-F10B Fully Integrated I/O

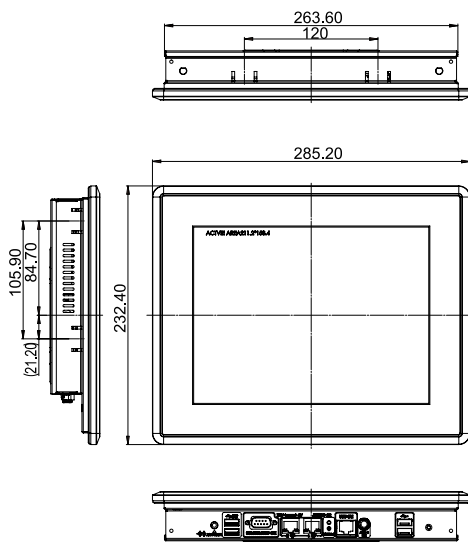
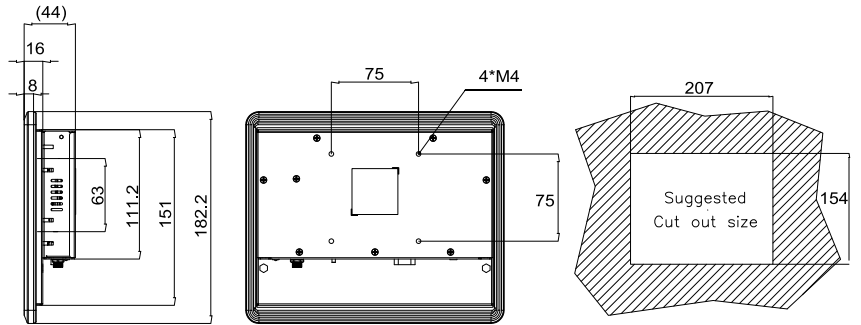




PPC-F06B-BT
Dimensions (Unit: mm)



PPC-F08B-BT
Dimensions (Unit: mm)



PPC-F10B-BT
Dimensions (Unit: mm)

