

M101EK-ME

10.1" Healthcare Rugged Tablet PC with Intel® Celeron® N6211



KEY FEATURES

- Intel® Elkhart Lake Celeron® N6211 Processor
- 10.1" 1920 x 1200 IPS LED Panel with direct optical bonding
- Lightweight, low power consumption, rugged, IP65 waterproof and dustproof
- Removable battery with hot-swap function for all day productivity
- Stylus, glove, and wet-touch modes fulfilling multiple medical operations
- In compliance with IEC/EN 60601-1, IEC/EN 60601-1-2, UL 60601-1
- Housing enhanced with antimicrobial properties
- USB Type-C port supports power delivery



SPECIFICATIONS

Display			
Resolution	1920x1200	Size	10.1 inches
Contrast Ratio	800:1	Panel Brightness	800.0 nits
View Angles	85,85,85,85	Type	Projected Capacitive Multi Touch
Viewability	Anti-Glare touch treatment	Bonding	Optical Bonding for Sunlight Viewability
System Specification			
Processor	Intel Celeron N6211 @1.20 GHz (up to 3.00 GHz) Intel Pentium N6415 @1.20 GHz (up to 3.00 GHz) (Optional)	Memory	4GB LPDDR4 8GB LPDDR4 (Optional)
Storage	128GB SSD Additional storage available with micro SDXC card slot 256GB SSD (Optional) 512GB SSD (Optional)	Security	Trusted Platform Module (TPM) 2.0 Kensington Lock
Operating System	Windows 10 IoT Enterprise LTSC (64 bit) Windows 11 IoT Enterprise LTSC (64 bit) (Optional)	WLAN	Support
BT	Support	WWAN	4G (Optional) 5G (Optional)
GNSS	GPS, GLONASS, Galileo, BeiDou	RFID	HF RFID 13.56 MHz reader (Optional) add-on UHF RFID Reader (Optional)
Sensors	Light sensor/ G-sensor / Gyro	Smart Card Reader	Add-on Smart Card Reader (Optional)
Camera			
Front Camera	2MP Front Camera	Rear Camera	8MP Rear Camera with auto-focus and LED light
Mechanical			
Dimension	271.9 x 197.3 x 19.5 mm	Weight	1.2 kg (2.65 lbs) with standard battery, 1.4 kg (3.1 lbs) with optional high capacity battery
Cooling System	Fanless Design	Housing	Housing enhanced with antimicrobial properties
IO Ports			
USB Port	1 x USB 3.0 (Type A), 1 x USB 3.0 (Type-C support Power Delivery 20V In)	SD Card Slot	1 x Micro SD Card slot (Support SDXC)
SIM Card Slot	1 x SIM card slot	Video	1 x Micro HDMI Output (Optional)
Audio	1 x Audio combo 3.5mm audio combo jack (Mic in or Line Out)	Expansion Port	1 x Expansion connector (Optional)

Dual Digital Mic With Noise Cancellation
Dual Speaker

Indicator 4x LED Indicator for Power, Battery, HDD, RF status **Docking Connector** 1 x 19-pin docking connector

Environment

Operating Humidity	10% to 90% RH, non-condensing	Operating Temperature	0 to 35°C
Storage Temperature	-30°C to 70°C (-22°F to 158°F)	Shock	MIL-STD-810G Method 516.6 Procedure I
Vibration	MIL-STD-810G Method 514.6 Procedure I	IP rating	IP65
Drop	MIL-STD-810G Method 516.6, 4 ft		

Certification

Certification CE, FCC, IEC/EN 60601-1, IEC/EN 60601-1-2, UL 60601-1

Control

Button 1 x Power, 1 x Home, 2 x Volume, 2 x Programmable Function Keys

Security Function

SOTI MobiControl SOTI MobiControl Compliance **Kensington Lock** Kensington Lock Support

Accessory

Accessory	Adapter and Power Cord Capacitive Stylus Standard Battery	Optional Accessory	Desk Dock (Optional) Vehicle Dock (without VGA output) (Optional) Vehicle Cradle (Optional) Battery Charger (Optional) Smart Card Reader (Optional) High Capacity Battery (Optional) Hand Strap (Optional) VESA Mount Kit (Optional) Shoulder Strap (Optional) Carry Bag (Optional) Vehicle Charger (Optional)
------------------	---	---------------------------	--

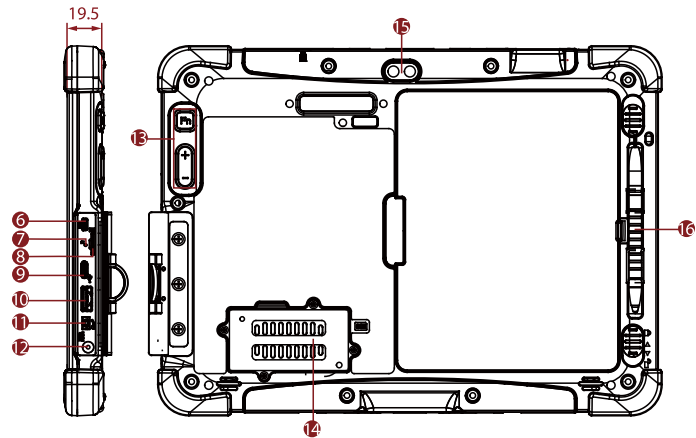
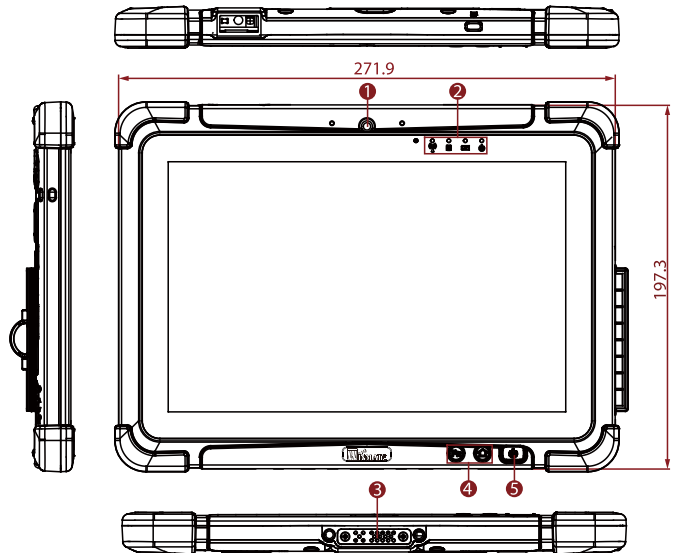
Barcode Scanner

Barcode Scanner 1D/2D barcode reader (Optional)

Power

Battery	Hot-swappable 7.4V, typ. 5140 mAh Li-Polymer Battery (2S1P) 7.4V, typ. 10280 mAh Li-Polymer Battery (2S2P, Optional)	Battery Operating Time	Standard Battery: 8 hours
Power Rating	19V DC	Adapter	100-240V, 50-60Hz (19V DC)

DIMENSIONS UNIT:MM



- | | | |
|---------------------|----------------------|----------------------------|
| ① Camera | ⑦ Reset Button | ⑬ Function Button |
| ② LED Indicator | ⑧ Micro SD Card Slot | ⑭ LTE Module/SIM Card Slot |
| ③ Docking Connector | ⑨ USB Type-C | ⑮ Camera |
| ④ Function Button | ⑩ USB Type-A | ⑯ Touch Pen Slot |
| ⑤ Power Switch | ⑪ Audio | |
| ⑥ Micro HDMI | ⑫ Power Input | |