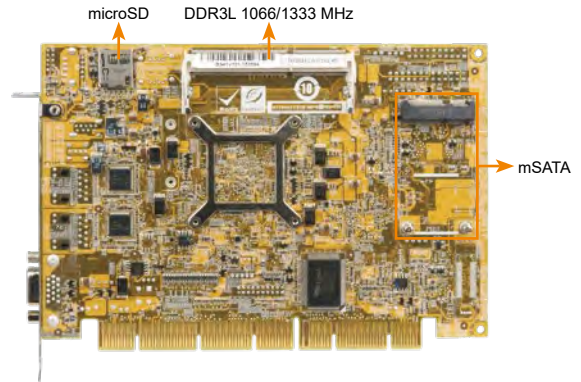
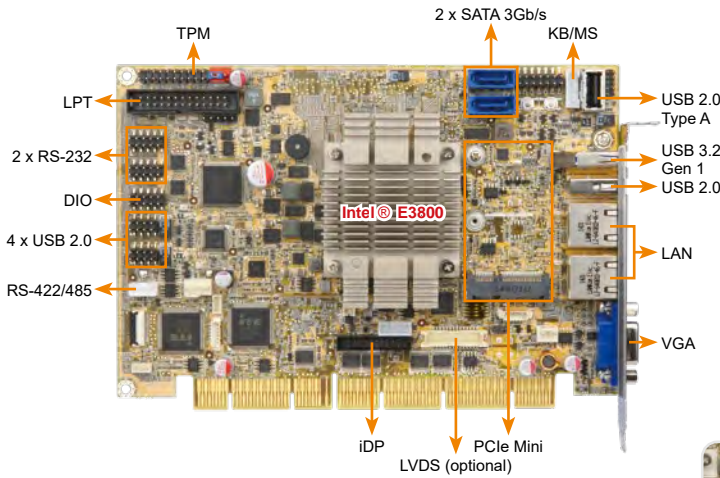


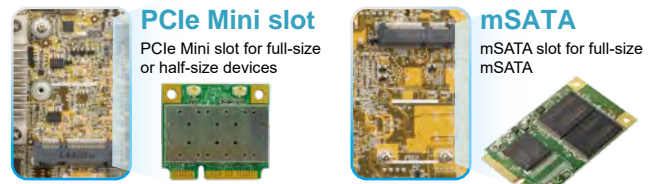
PCISA-BT

Half-size PCISA CPU Card supports 22nm Intel® Atom™ On-board SoC with VGA, iDP, Dual Intel® PCIe GbE, USB 3.2 Gen 1 (5Gb/s), PCIe Mini, SATA, mSATA, COM, Audio and RoHS



Specifications

- ◆ SoC
 - Intel® Atom™ E3845 on-board SoC (1.91GHz, quad-core, 2MB cache, TDP=10W)
 - Intel® Atom™ E3827 on-board SoC (1.75GHz, dual-core, 1MB cache, TDP=8W)
 - Intel® Atom™ E3826 on-board SoC (1.46GHz, dual-core, 1MB cache, TDP=7W)
 - Intel® Atom™ E3825 on-board SoC (1.33GHz, dual-core, 1MB cache, TDP=6W)
 - Intel® Atom™ E3815 on-board SoC (1.46GHz, single-core, 512KB cache, TDP=5W)
- ◆ Memory
 - One 204-pin 1333/1066 MHz single-channel DDR3L SDRAM unbuffered SO-DIMM slot supports up to 8GB
- ◆ Graphics Engine
 - Intel® HD Graphics Gen 7 Engines with 4 execution units, supporting DX11.1, OpenGL 4.2 and OpenCL1.2
- ◆ Display Output
 - Dual independent display
 - 1 x VGA (up to 2560x1600@60Hz)
 - 1 x 18/24-bit dual-channel LVDS (up to 1920x1200@60Hz) (optional, MOQ: 100 pcs/lot)
 - 1 x iDP interface for HDMI, LVDS, VGA, DVI, DP (up to 2560x1600@60Hz)
- ◆ Ethernet
 - LAN1: Intel® I211-AT PCIe controller
 - LAN2: Intel® I211-AT PCIe controller
- ◆ External I/O Interface
 - 1 x USB 2.0
 - 1 x USB 3.2 Gen 1 (5Gb/s)
- ◆ Internal I/O Interface
 - 1 x KB/MS (1x6 pin)
 - 1 x LPT (2x13 pin)
 - 1 x mSATA
 - 1 x RS-422/485 (1x4 pin, P=2.0)
 - 1 x USB 2.0 (180° Type-A)
 - 2 x RS-232 (2x5 pin, P=2.54)
 - 2 x SATA 3Gb/s
 - 4 x USB 2.0 (2x4 pin, P=2.54)
- ◆ Audio
 - Support 7.1 channel HD Audio by IEI AC-KIT-888S-R10 kit
 - 1 x Front Audio (2x5 pin)
- ◆ TPM
 - 1 x TPM (2x10 pin)
- ◆ SMBus
 - 1 x SMBus (1x4 pin)
- ◆ I²C
 - 1 x I²C (1x4 pin)
- ◆ Infrared Interface
 - 1 x Infrared interface (1x5 pin)
- ◆ Expansion
 - 1 x microSD socket
 - 1 x PCIe Mini slot
 - PCI and ISA signal via golden finger
- ◆ Watchdog Timer
 - Software programmable supports 1~255 sec. system reset
- ◆ Digital I/O
 - 8-bit digital I/O (2x5 pin)
- ◆ Fan Connector
 - 1 x CPU smart fan (1x4 pin)
 - 1 x System smart fan (1x3 pin)
- ◆ Power Supply
 - 5V/12V, AT/ATX support
- ◆ Power Consumption
 - 5V@1.55A, 12V@0.74A (Intel® Atom™ E3845 1.91GHz CPU with one 8 GB 1333 MHz memory)
- ◆ Operating Temperature
 - 20°C ~ 60°C
- ◆ Storage Temperature
 - 30°C ~ 70°C
- ◆ Dimensions
 - 185 mm x 128 mm
- ◆ Weight
 - GW: 1000g / NW: 250g
- ◆ CE/FCC compliant



Features

- Half-size PCISA CPU card supports 22nm Intel® Atom™ or Celeron® on-board SoC
- Supports dual LAN by Intel® I211-AT PCIe controllers
- Supports 1.35 V 1333/1066 MHz DDR3L SDRAM up to 8 GB
- Supports dual independent display with one analog CRT, iDP and one 24-bit dual-channel LVDS (optional)
- COM, USB 3.2 Gen 1 (5Gb/s), SATA 3Gb/s, PCIe Mini, mSATA and HD Audio support

Packing List

1 x PCISA-BT single board computer	
1 x SATA cable	1 x QIG

Ordering Information

Part No.	Description
PCISA-BT-E38451-R11	Half-size PCISA CPU card supports Intel® Atom™ E3845 (10W) on-board SoC with VGA, iDP, dual Intel® PCIe GbE, PCIe Mini, USB 3.2 Gen 1 (5Gb/s), SATA, mSATA, COM, Audio and RoHS
PCISA-BT-E38251-R11	Half-size PCISA CPU card supports Intel® Atom™ E3825 (6W) on-board SoC with VGA, iDP, dual Intel® PCIe GbE, PCIe Mini, USB 3.2 Gen 1 (5Gb/s), SATA, mSATA, COM, Audio and RoHS
19800-000049-RS	LPT flat cable, 240mm, P=2.54
19800-000075-RS	PS/2 KB/MS cable with bracket, 220mm, P=2.0
19800-020100-100-RS	RS-232 cable with bracket, Dual 10-pin to dual DB-9, 230mm, P=2.54
32102-000100-200-RS	SATA power cable, MOLEX 5264-4P to SATA15P
32205-003800-300-RS	RS-422/485 cable, 200mm, P=2.0
AC-KIT-892HD-R10	Realtek ALC892 7.1-channel HD Audio peripheral board
DP-DP-R10	DisplayPort to DisplayPort converter board (for IEI iDP connector)
DP-DVI-R10	DisplayPort to DVI-D converter board (for IEI iDP connector)
DP-HDMI-R10	DisplayPort to HDMI converter board (for IEI iDP connector)
DP-LVDS-R10	DisplayPort to LVDS converter board (for IEI iDP connector)
DP-VGA-R10	DisplayPort to VGA converter board (for IEI iDP connector)
TPM-IN01-R20	20-pin Infineon TPM module, software management tool, firmware v3.17

Note: Models with other CPUs not listed in the table are requested by MOQ - 100 pcs/lot.