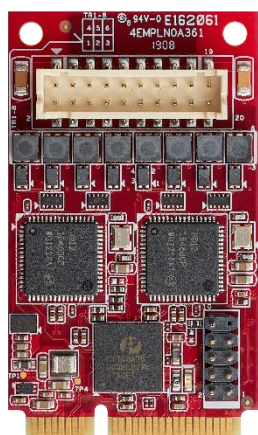


CONNECTING INTELLIGENCE NETWORKING



EMPL-G203

mPCIe to Dual GbE LAN Module

HIGHLIGHT FEATURES

- Intel i210 controller
- Complies with EN61000-4-2 (ESD) Air-15kV, Contact-8kV
- Transformer on PCB for flexible cable design
- External LED indicator pin for speed 10 / 100 / 1000
- Optional industrial temperature (-40°C to 85°C) support
- 30μ" golden finger, 3-year warranty
- Industrial design, manufactured in Innodisk Taiwan

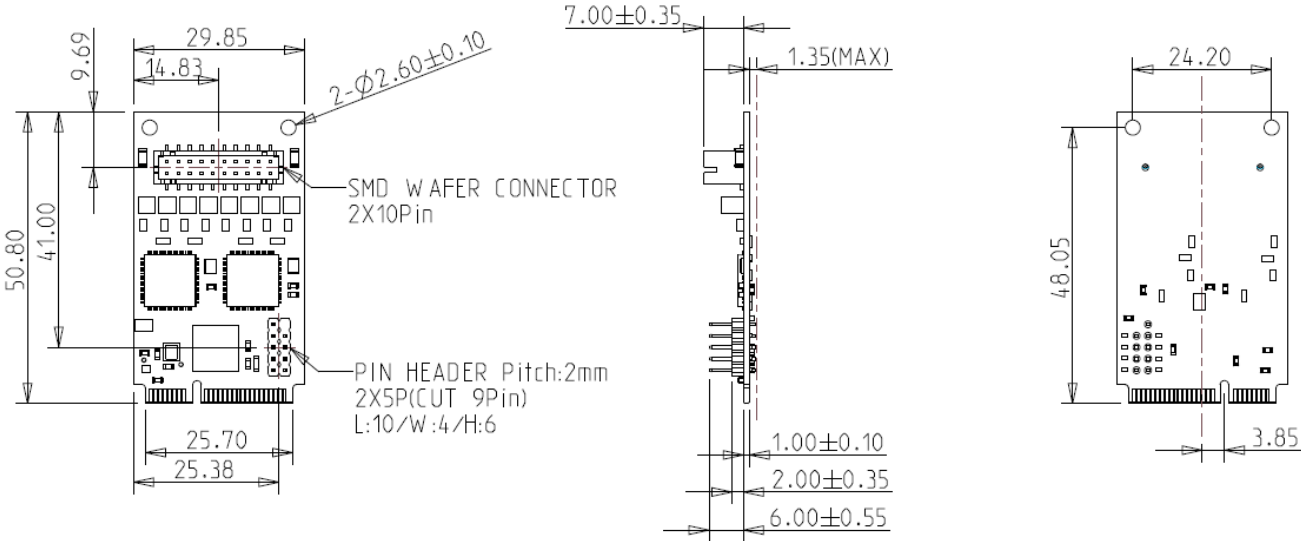
SPECIFICATIONS

Model Name	EMPL-G203
Module Type	mPCIe to Dual GbE LAN Module
Form Factor	mPCIe
Function	LAN
Input I/F	PCI Express 2.1 x1
Output I/F	GbE LAN
Output Port	2
Output Connector	RJ45
Max. Power Consumption	2W (3.3V, 605mA)
Dimension (W x L x H/mm)	29.85 x 50.8 x 9.35
Temperature	Operation : S/T 0°C ~ 70°C ; W/T -40°C ~ 85°C (Ta) Storage : -55°C ~ 95°C (Ta)
Vibration	5G@[7~2000Hz]
Shock	50G@0.5ms
OS Support	Windows : XP (32bit), 7 (32 / 64bit), 8 / 8.1 (32 / 64 bit), 10 (32 / 64bit), and above version Linux : Kernel 2.4 series, 2.6.x, 3.x, and above version
Warranty	3 Years
Notes	<ul style="list-style-type: none">• Please download driver from Intel official website.

ORDER INFO.

P/N	Description
EMPL-G203-C1	mPCIe to Dual GbE LAN Module / Standard Temperature
EMPL-G203-W1	mPCIe to Dual GbE LAN Module / Wide Temperature

MECHANICAL DRAWING



TOLERANCE: ± 0.15
UNIT: mm