

## M.2 (P80) 4TE3

### HIGHLIGHT FEATURES

- PCIe Gen 4 x4, NVMe 1.4
- Stable sustained performance
- LDPC ECC engine supported
- 256-bit AES hardware based encryption
- Hybrid write mode with SLC cache enable
- Dynamic thermal management

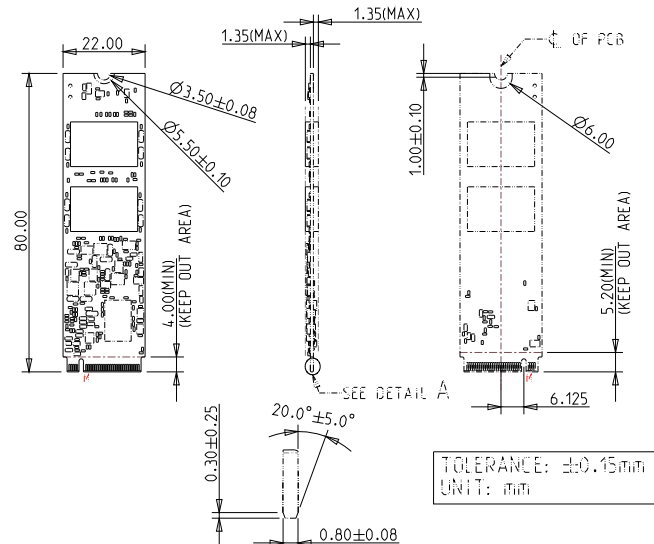


### SPECIFICATIONS

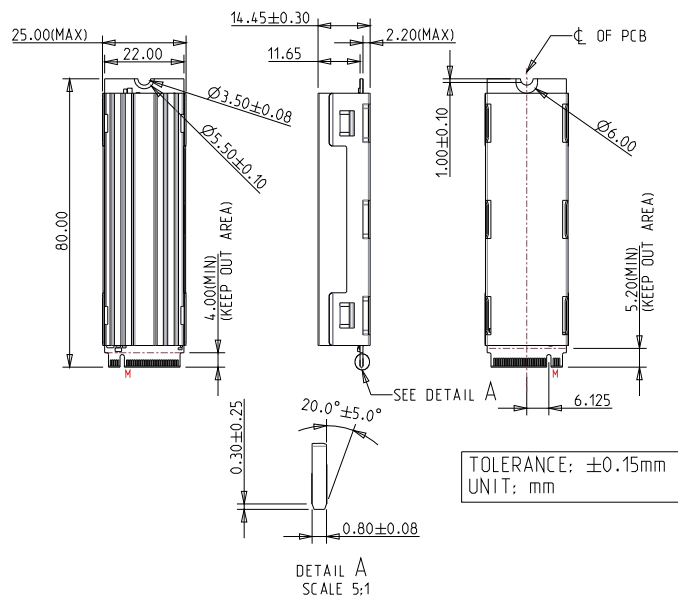
<b>Model Name</b>	M.2 (P80) 4TE3
<b>Flash Type</b>	3D TLC
<b>Interface</b>	PCIe Gen 4 x4
<b>Form Factor</b>	M.2 2280 M Key
<b>Capacity</b>	128GB ~ 2TB
<b>Sequential R / W (MB/sec, max.)</b>	3,700 / 3,300
<b>P/E Cycle</b>	3,000
<b>TBW (Max.)</b>	1,621
<b>Storage Temperature</b>	-40°C ~ 85°C
<b>Max. Power Consumption</b>	4.8W
<b>Max. Channels</b>	4
<b>External DRAM Buffer</b>	N
<b>H/W Write Protect</b>	Y (Optional)
<b>S.M.A.R.T.</b>	Y
<b>AES</b>	Y (Optional)
<b>TCG Opal</b>	Y (Optional)
<b>Dimension (W x L x H/mm)</b>	Pure M.2 : 22.0 x 80.0 x 3.5 W/T with heat sink : 25.0 x 80.0 x 14.5
<b>Vibration</b>	20G@[7 ~ 2000Hz]
<b>Shock</b>	1500G@0.5ms
<b>MTBF</b>	>3 million hours
<b>Warranty</b>	3 Years

## DIAGRAM

ST



WT



Note: The appearance of silicone oil seeping out from the inside of the thermal pad is a normal occurrence. Silicone oil is not electrically conductive, so it does not impact the functionality of SSD.

## ORDER INFO.

Operating Temperature	Standard Grade (0°C ~ 70°C)	Industrial Grade (-40°C ~ 85°C)
128GB	DEM28-A28DH1KCADF(W)	DEM28-A28DH1KWADF(W)H
256GB	DEM28-B56DH1KCAQF(W)	DEM28-B56DH1KWAQF(W)H
512GB	DEM28-C12DH1KCAQF(W)	DEM28-C12DH1KWAQF(W)H
1TB	DEM28-01TDH1KCAQF(W)	DEM28-01TDH1KWAQF(W)H
2TB	DEM28-02TDH1KCAQF(W)	DEM28-02TDH1KWAQF(W)H

W : H/W Write Protect

For TCG Opal function, the PN Code 10th ~ 12th will be DH2.