

# D140

14" Windows Rugged Tablet PC with Intel® Core™ i5-1235U

**Contact Sales**



## KEY FEATURES

- Intel® Core™ i5-1235U Alder Lake processor
- 14-inch tablet, 1920 x 1080 wide viewing angle LED Panel
- Projected Capacitive Touch screen with Stylus
- Magnesium Alloy Housing with All-Around Elastomeric Rubber
- Thermal Design with Fan cooling system
- Built in stylus holder for left/right hand usage

## INTRODUCTION

Winmate D140 Rugged Tablet Series combines durability, performance, and versatility to meet the needs of demanding industrial applications. Featuring a 14-inch Full HD display, it delivers clear visuals ideal for GIS, mapping, and CAD tasks. Powered by a 12th Gen Intel® Core™ i5-1235U processor, it ensures seamless multitasking and efficient energy use for field operations. The tablet's projected capacitive touch supports multi-touch and glove compatibility, while the cooling fan design and IP65 rating enable reliable operation in harsh conditions. With features like an 8MP rear camera, Wi-Fi, 4G, multiple USB ports, and quick-access function keys, the D140 is perfect for fieldwork, inspections, and remote communication.

## OVERVIEW



### Powered by High-Performance Intel® Processor

Winmate D140 is equipped with the Intel® Core™ 12th Gen processor, offering cutting-edge performance for multitasking and running data-intensive industrial applications. Its energy-efficient design ensures smooth operation, making it ideal for automotive logistics, and field service environments.

### Seamless Interaction with Full HD Display and Advanced Features

Designed with usability in mind, the D140 features a 14-inch Full HD touchscreen with projected capacitive touch technology (PCAP), delivering precise, responsive interaction, even when wearing gloves. Whether you're annotating designs or analyzing data, the included stylus pen provides exceptional precision for every task.





### Rugged Durability with IP65 Protection

With an IP65-rated waterproof and dustproof build, the Winmate D140 excels in extreme conditions. Its rugged durability, combined with a cooling fan design for temperature stability, ensures reliable performance in harsh industrial or outdoor settings.

### Flexible Connectivity with Rotatable I/O Doors

Winmate D140's innovative rotatable I/O doors provide easy access to its multiple ports, including 4 USB Type-A, 2 USB Type-C (PD & ALT mode), and a LAN port. These doors rotate out of the way during use but stay closed to protect the ports when not in use, ensuring seamless, secure connectivity for industrial peripherals and accessories.



### Perfect for Field Operations with Long Battery Life

Optimized for field use, Winmate D140 combines functionality with endurance. Its six customizable function keys provide quick access to essential tools, while the battery ensures long hours of uninterrupted operation. The included stylus pen enhances precision input, making it the ultimate solution for mobile professionals in industries like logistics, utilities, and public safety.

## SPECIFICATIONS

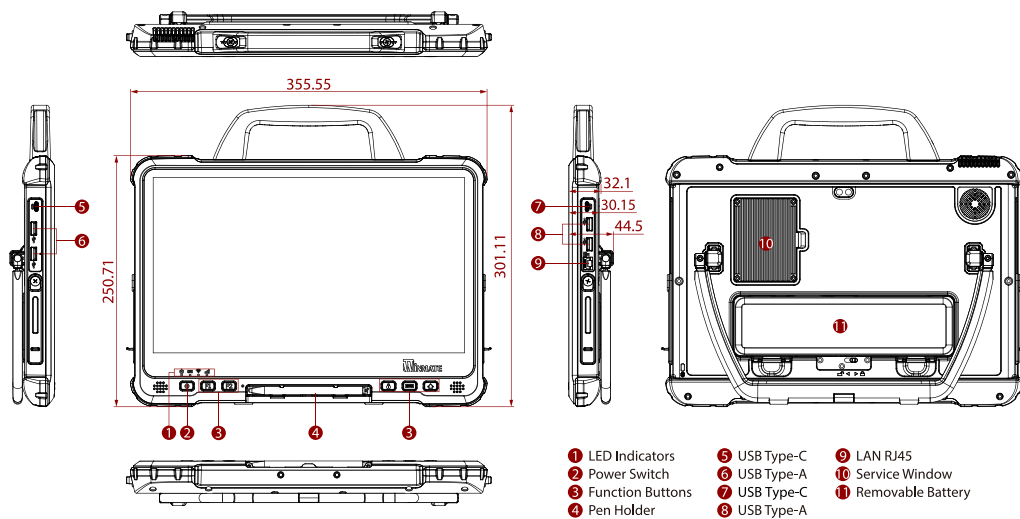
Display			
<b>Bonding</b>	Optical Bonding for Sunlight Viewability	<b>Resolution</b>	1920x1080
<b>Size</b>	14.0 inches	<b>Contrast Ratio</b>	1000:1
<b>Panel Brightness</b>	500.0 nits	<b>View Angles</b>	89,89,89,89
<b>Type</b>	Projected Capacitive Multi Touch		
System Specification			
<b>Processor</b>	12th Intel® Core™ i5-1235U, 3.3GHz, max 4.4GHz	<b>Memory</b>	1 x 8GB SODIMM DDR5-4800 (up to 32GB)
<b>Storage</b>	256GB M.2 NVMe SSD 512GB M.2 NVMe SSD (Optional) 1TB M.2 NVMe SSD (Optional) 2TB M.2 NVMe SSD (Optional)	<b>Security</b>	Trusted Platform Module (TPM) 2.0 Kensington Lock
<b>Operating System</b>	Windows 11 IoT Enterprise LTSC (64 bit)	<b>WLAN</b>	Support
<b>BT</b>	Support	<b>WWAN</b>	4G LTE (Optional)
Mechanical			
<b>Dimension</b>	350.35 x 245.66 x 31.6 mm	<b>Weight</b>	2.4 Kg (Without Kickstand), 2.5 Kg (With Kickstand)
<b>Cooling System</b>	Fan Design		
IO Ports			
<b>USB Port</b>	4 x USB 3.2 Type A, 2 x USB 3.0 Type C (PD/ALT Mode)	<b>Audio</b>	2 x 1 watt speaker
<b>LAN</b>	1 x RJ45 10/100/1000 Mbps LAN	<b>Indicator</b>	4x LED Indicator for Power, Battery, WiFi, LTE
Environment			
<b>Operating Humidity</b>	30% to 80% RH, noncondensing	<b>Operating Temperature</b>	-10°C to 50°C (14°F to 122°F)
<b>Storage Temperature</b>	-20°C to 60°C (4°F to 140°F)	<b>Shock</b>	MIL-STD-810G Method 516.6 Procedure I
<b>Vibration</b>	MIL-STD-810G Method 514.6 Procedure I	<b>IP rating</b>	IP65
<b>Drop</b>	MIL-STD-810G Method 516.6, 4 ft	<b>EMC</b>	8KV/12KV (contact, Air)
Certification			
<b>Certification</b>	CE, FCC		
Security Function			
<b>SOTI MobiControl</b>	SOTI MobiControl Compliance	<b>Kensington Lock</b>	Kensington Lock Support
Control			
<b>Button</b>	1 x Power, 1 x F1, 1 x F2, 1 x Key Lock, 1 x Keyboard, 1 x Home key		
Power			
<b>Battery</b>	10.9V, typ. 6700 mAh, 73.03Wh LiOn Battery (3S2P)	<b>Power Rating</b>	19V DC
<b>Adapter</b>	100-240V, 50-60Hz / 19V DC / Type-C		
Accessory			

<b>Accessory</b>	Adapter and Power Cord Standard Battery Stand with Integrated Handle Top Handle
------------------	--

**Camera**

<b>Rear Camera</b>	8MP Rear Camera with autofocus and LED light (Optional)
--------------------	---

**DIMENSIONS** UNIT:MM



**NOTE**

1. This is a simplified drawing and some components are not marked in detail.
2. Please contact our sales representative if you need further product information.
3. All specifications are subject to change without prior notice.
4. The product shown in this datasheet is a standard model. For diagrams that contain customized or optional I/O, please contact the Winmate Sales Team for more information.