

M900AD

8" Windows Rugged Tablet with Intel® Core™ 5 120U



KEY FEATURES

- Intel® Core™ 5 Processor 120U rugged tablet PC
- 8" 1280 x 800 IPS LED Panel with direct optical bonding
- Integrated GigaLAN port
- USB 3.0 type C lockable connectors
- Sunlight readable with anti-glare solution
- Projected capacitive (PCAP) multitouch
- IP66 waterproof and dustproof

INTRODUCTION

The Winmate M900 Rugged Tablet Series delivers compact, high-performance solutions for industrial and field applications. Featuring an 8" sunlight-readable IPS display with direct optical bonding and PCAP multitouch, these tablets ensure clear visibility and responsive interaction in any environment. Built with IP66-rated waterproof and dustproof protection, USB Type A, and lockable USB Type C connectors. The M900 Series is designed for durability and versatility. Ideal for industrial automation and fieldwork tasks.

SPECIFICATIONS

Display

Type	Projected Capacitive Multi Touch	Bonding	Optical Bonding for Sunlight Viewability
Resolution	1280x800	Size	8.0 inches
Contrast Ratio	1500:1	Panel Brightness	800.0 nits
View Angles	80,80,80,80		

System Specification

Processor	Intel® Core™ 5 processor 120U (up to 5 GHz)	Memory	8GB (Default) 16GB (Optional)
Storage	256GB SSD (Default) 512GB SSD (Optional) 1TB SSD (Optional)	Security	Trusted Platform Module (TPM) 2.0
Operating System	Windows 11 IoT Enterprise LTSC (64 bit) (Default) Windows 10 IoT Enterprise LTSC (64 bit) (Optional)	WLAN	Support
BT	Support	WWAN	4G LTE (Optional) 5G (Optional)
GNSS	GPS, GLONASS	RFID	HF RFID 13.56 MHz reader (Optional)
Sensors	Light sensor/ G-sensor / Gyro		

Camera

Front Camera	2MP Front Camera	Rear Camera	8MP Rear Camera with Autofocus and LED Light
---------------------	------------------	--------------------	----------------------------------------------

Mechanical

Dimension	226.5 x 147.8 x 26.8 mm	Weight	1.0 kg with battery
Cooling System	Fan Design		

IO Ports

USB Port	1 x USB 3.0 (Type A), 2 x USB 3.0 (Type C, Lockable, support Power Delivery 20V In and ALT mode)	SIM Card Slot	1 x Nano SIM card slot
Audio	Dual Digital Mic Dual Speaker	LAN	1 x RJ45-10/100/1000 GigaLAN port
Indicator	4x LED Indicator for Power, Battery, HDD, RF status	Docking Connector	1 x 19-pin docking connector

Environment

Operating Humidity	10% to 90% RH, non-condensing	Operating Temperature	-20°C to 60°C
Storage Temperature	-30°C to 70°C (-22°F to 158°F)	Shock	MIL-STD-810H Method 516.8 Procedure I
Vibration	MIL-STD-810H Method 514.8 Procedure I	IP rating	IP66
Drop	MIL-STD-810H Method 516.8 Procedure IV, 5 ft	EMC	USA: MIL-STD-461G CE101, CE102, RE101, RE102, CS118(Default) (Default) MIL-STD-461G CS101, CS114, CS115, CS116, RS101, RS103 (Optional) MIL-STD-461G RE102 Ground Army Grade (Optional) NATO: STANAG 4370/AECTP501 NCE01, NCE02, NRE01, NRE02, NCS12(Default) STANAG 4370/AECTP501 NCS01, NCS07, NCS08, NCS09, NRS01, NRS02 (Optional) STANAG 4370/AECTP501 NRE02-2 Land Environment (Optional)

Certification

Certification	CE, FCC
----------------------	---------

Security Function

SOTI MobiControl	SOTI MobiControl Compliance
-------------------------	-----------------------------

Control

Button	1 x Power, 1 x menu, 3 x Programmable Function Keys
---------------	--------------------------------------------------------

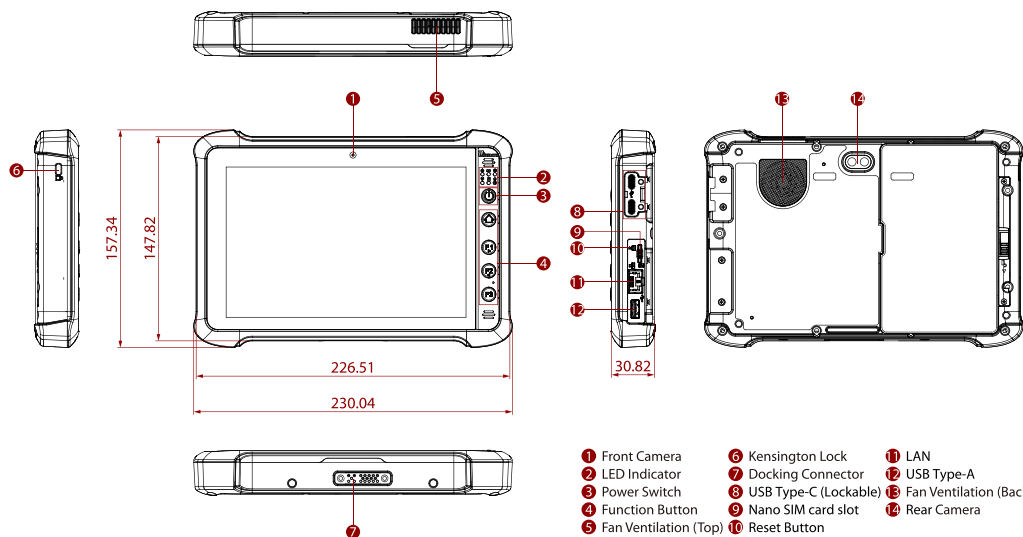
Power

Battery	Hot-swappable 11.55V, typ. 3220 mAh Li Polymer Battery (3S1P)	Battery Operating Time	Standard. Battery: 6 hours
Power Rating	20V DC	Adapter	100-240V, 50-60Hz / 20V DC

Accessory

Accessory	Adapter and Power Cord Standard Battery	Optional Accessory	Battery Charger (Optional) Vehicle Charger (Optional) Hand Strap (Optional) Lockable USB-C cable (Optional) Capacitive Stylus (Optional)
------------------	--------------------------------------------	---------------------------	------------------------------------------------------------------------------------------------------------------------------------------------------

DIMENSIONS UNIT:MM



NOTE

1. This is a simplified drawing, and some components are not marked in detail.
2. Please contact our sales representative if you need further product information.
3. All specifications are subject to change without prior notice.
4. The product shown in this datasheet is a standard model. For diagrams that contain customized or optional I/O, please contact the Winmate Sales Team for more information.