



Features

- Intel® Celeron® Processor N3350/N4200
- MIL-STD-810G & IP65 certified, 4-foot drop resistance
- 10.1" TFT color LCD 1280 x 800 HD
- Corning gorilla glass, 10 point projected capacitive multi-touch panel
- High mobility with multiple connectivity including WLAN, bluetooth, NFC
- Light design, weight only 1Kg with battery
- G-sensor, light sensor, 2M/8M camera
- Option 1D/2D barcode scanner
- Support Windows 10 and Android 11



MIL-STD-810G



PCAP multi-touch



Fanless



Medical Grade



Front IP65

Specifications

System Information

Processor	Intel® Celeron® Processor N3350/N4200
System Memory	Onboard LPDDR4 4GB / 8GB

Storage

Solid State Drive	M.2 128GB solid state drive
-------------------	-----------------------------

Power Requirement

Battery	28.44W Li-ion battery
Battery Operating Time	6 Hours
DC Input Connector	DC Jack
DC Input	+19V

Software Support

OS	Windows 10 IoT 64bit Android 8.1 without NFC Android 11 without NFC
----	---

Certification

Certification Information	Australia RCM Canada ICES-003 / IC China CCC / SRRC Chile SUBTEL Japan VCCI / MIC Taiwan BSMI / NCC USA FCC UK UKCA
	EU CE / RED / EN60601-1, EN60601-1-2 : Austria, Belgium, Czech Republic, Denmark, Finland, France, Germany, Greece, Hungary, Ireland, Italy, Latvia, Liechtenstein, Luxembourg, Netherlands, Norway, Poland, Portugal, Romania, Slovakia, Slovenia, Spain, Sweden, Switzerland
	Compliance : Costa Rica, Egypt, Hongkong, Sri Lanka

In-Box Accessory

Accessory	+19V 65W power adaptor
-----------	------------------------

Panel

Touch Type	10 points projective capacitive
LCD Size	10.1"
Display Type	WXGA
Resolution	1280 x 800
Luminance	300 cd/m ²

I/O

HDMI	1 x HDMI output
USB Port	2 x USB 3.0 Type A
Other	1 x Audio Jack 1 x Micro SD 1 x DC Jack

System Control

Control Buttons	1 x Power button 1 x Barcode scanner trigger
LED Indicator	1 x Power

Data Collection

Barcode Scanner	1D/2D Barcode scanner (optional)
NFC	ISO/IEC 14443 A/B, 15693/18092, NFCIP-1, NFCIP-2, support MIFARE and Felica
Camera	2MP Front camera 8MP Rear camera with auto focus

Wireless Communication

Bluetooth	Bluetooth 5.0
WLAN	802.11 a/b/g/n/ac

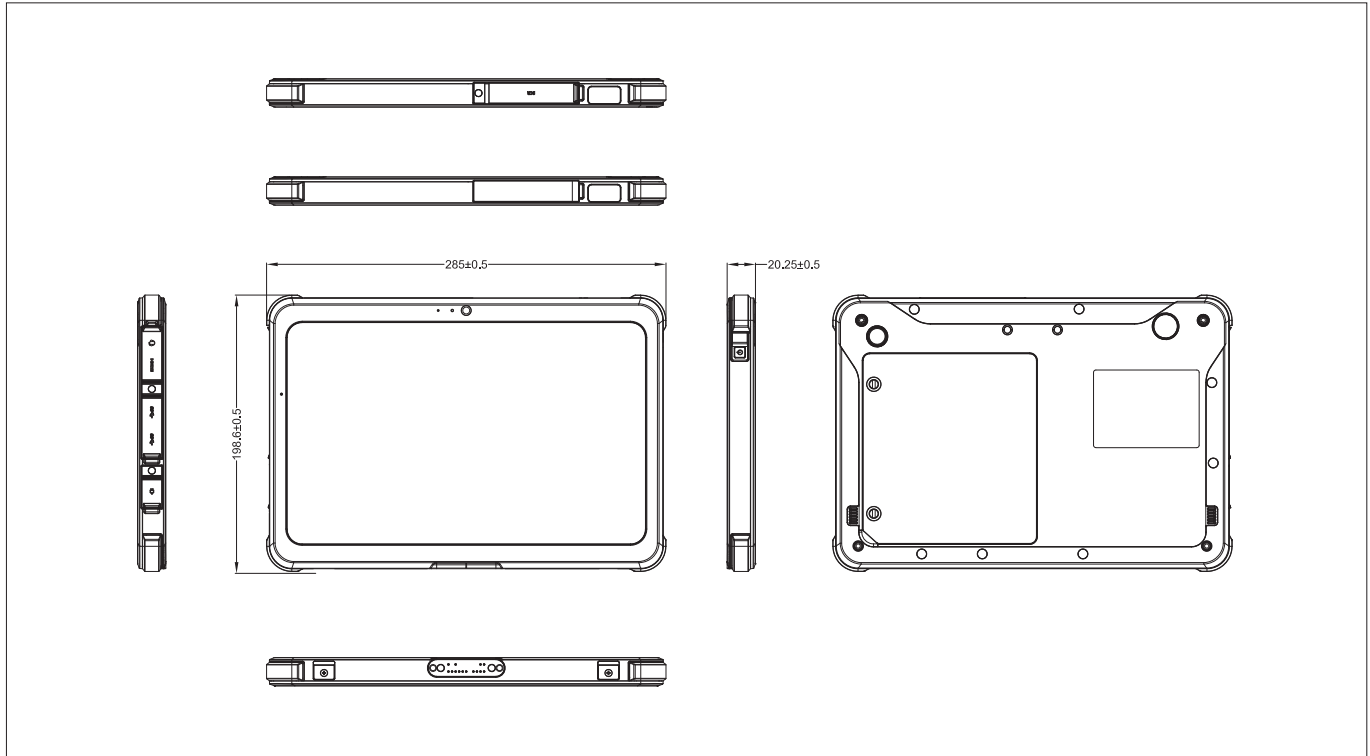
Mechanical & Environmental

Operating Temp.	0°C ~ 40°C (32°F ~ 104°F) 0°C ~ 30°C (32°F ~ 86°F) without dock or wall mount [EN60601] 0°C ~ 40°C (32°F ~ 104°F) with dock or wall mount [EN60601]
Storage Temp.	-20°C ~ 60°C (-4°F ~ 140°F)
Operating Humidity	40°C @ 95% relative humidity, non-condensing
Dimension (W x L x H)	281 x 193.3 x 19.95mm
Weight	1 kg with Battery
Construction	Rubber + plastic
Vibration Test	MIL-STD-810G method 514.6 procedure 1
Shock Test	MIL-STD-810G method 516.6 procedure 1
Drop Test	4-Foot drop on concrete floor, MIL-STD-810G 516.6 procedure IV
IP Rating	IP65
Fanless	Fanless

Component

Adapter	Input: 100-240Vac/50-60 Hz Output: 65W adaptor (19V@3.15A adaptor)
Microphone	Front microphone

Mechanical Drawing



Ordering Information

P/N	Touch Type	Processor	Memory	Storage	Resolution	Luminance	COM	USB	LAN	Power Input	Working Temp.	OS Support
CAXAO-1000A1-S04R	PCAP	N3350	4GB	128GB	1280 x 800	350	0	2	0	+19V	0°C ~ 40°C	Android 8.1
CAXAO-1000A1-S05R	PCAP	N3350	4GB	128GB	1280 x 800	350	0	2	0	+19V	0°C ~ 40°C	Win 10
CAXAO-1000A1-S06R	PCAP	N3350	4GB	128GB	1280 x 800	350	0	2	0	+19V	0°C ~ 40°C	Win 10
CAXAO-1000A1-S07R	PCAP	N4200	4GB	128GB	1280 x 800	350	0	2	0	+19V	0°C ~ 40°C	Win 10
CAXAO-1000A1-S08R	PCAP	N4200	4GB	128GB	1280 x 800	350	0	2	0	+19V	0°C ~ 40°C	Android 8.1
CAXAO-1000A1-S10R	PCAP	N3350	4GB	128GB	1280 x 800	350	0	2	0	+19V	0°C ~ 40°C	Android 11
CAXAO-1000A1-S11R	PCAP	N4200	4GB	128GB	1280 x 800	350	0	2	0	+19V	0°C ~ 40°C	Android 11
CAXAO-1000A1-S12R	PCAP	N4200	8GB	128GB	1280 x 800	350	0	2	0	+19V	0°C ~ 40°C	Win 10

Packing List

Item	P/N	Quantity
CAXAO		1
AC/DC adapter 19V/3.15A 90°C DC Plug	ACC-ADP-060M-01R	1
CAXAO Battery, 7.2V 3950mAh	ACC-BAT-2S1P-01R	1

Optional Items

Item	P/N
CAXAO Desktop cradle /USB2.0x3/LAN/DC19V, without Adapter	CAXAO-DCA1-S03R
CAXAO Wall Mount kit /USB2.0x3/LAN/DC19V, without Adapter	CAXAO-WMA1-S03R
Battery charging station for CAXAO, DC19V/65W Adapter	CAXAO-CSA1-S01R
Hand Strap for CAXAO	ACC-CAXAO-HS-01R
Shoulder Strap for CAXAO	ACC-CAXAO-SS-01R
CAXAO Medical Adapter	ACC-ADP-060M-01R
CAXAO ITE Adapter	ACC-ADP-065N-01R
CAXAO Battery	ACC-CAXAOBAT-02R
CAXAO ID / 2D Barcode scanner	
EU Power Cord for ACC-ADP-060M-01R	E1702031000R
US Power Cord for ACC-ADP-060M-01R	E1702031833R
JP Power Cord for ACC-ADP-060M-01R	E1702031834R
UK Power Cord for ACC-ADP-060M-01R	E170P060380R
EU Power Cord for ACC-ADP-065N-01R	E170203183DR
US Power Cord for ACC-ADP-065N-01R	E1702031835R
JP Power Cord for ACC-ADP-065N-01R	E17120318001R
UK Power Cord for ACC-ADP-065N-01R	E170P060370R

I/O Overview

